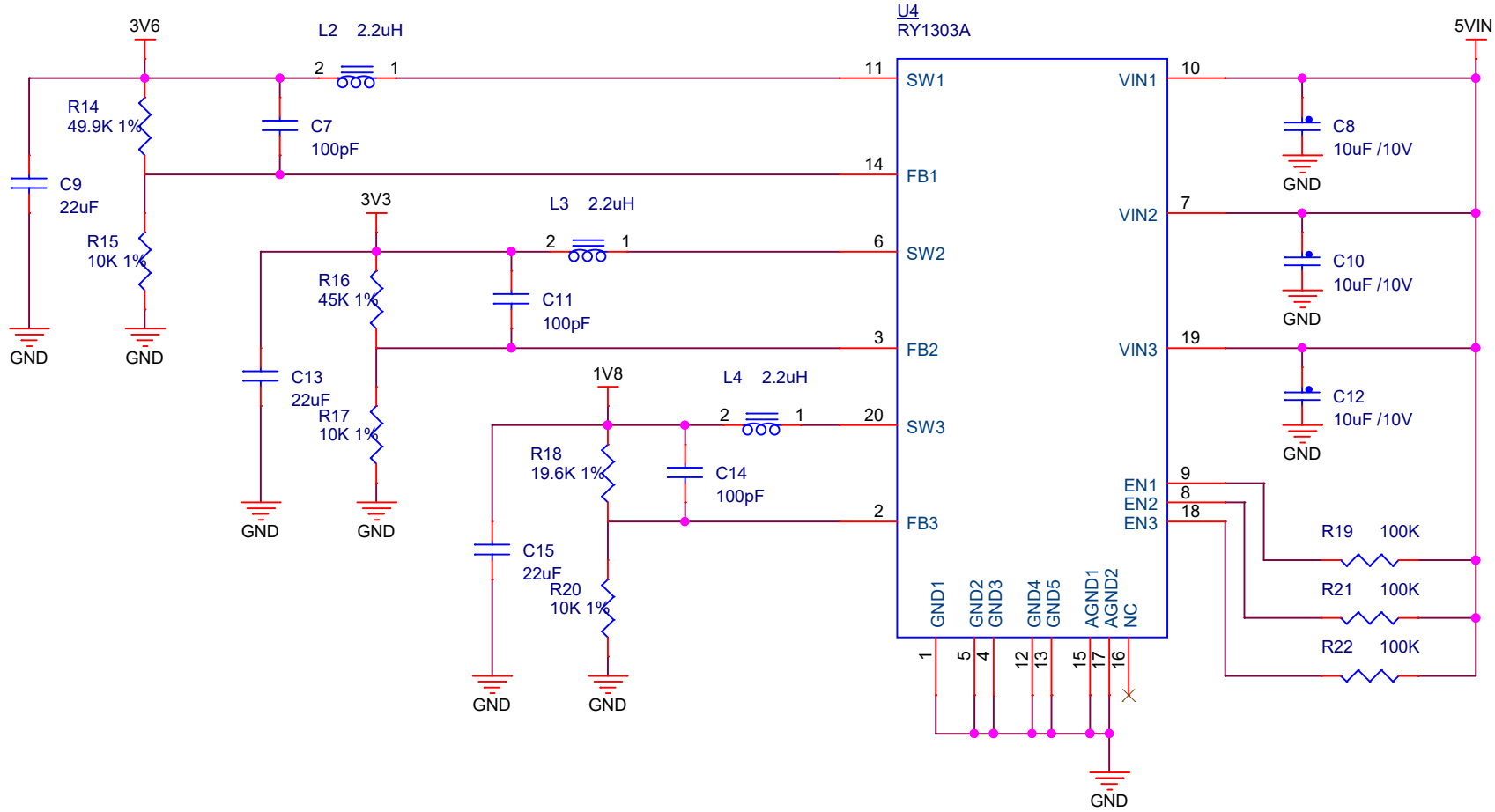


<b>FANSTEL Corporation.</b>			
<b>Title</b>			
<b>BWG40F02E</b>			
<b>Size</b>	<b>Document Number</b>	<b>Rev</b>	
B	RF5340 + nRF7002	1.2	
<b>Date:</b> Thursday, March 16, 2023		<b>Sheet</b>	1 of 2

BUCKEN = P0.12



<b>FANSTEL Corporation.</b>		
<b>Title</b>		
<b>BWG40F02E</b>		
<b>Size</b>	<b>Document Number</b>	<b>Rev</b>
A	Power	1.2
<b>Date:</b> Thursday, March 16, 2023		<b>Sheet</b> 2 <b>of</b> 2