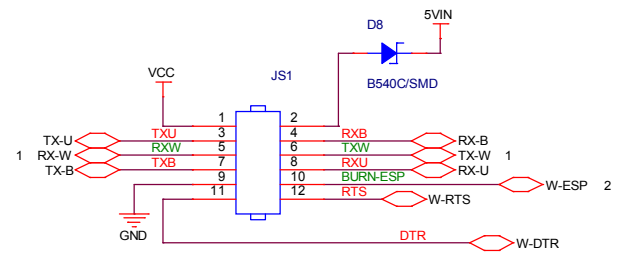
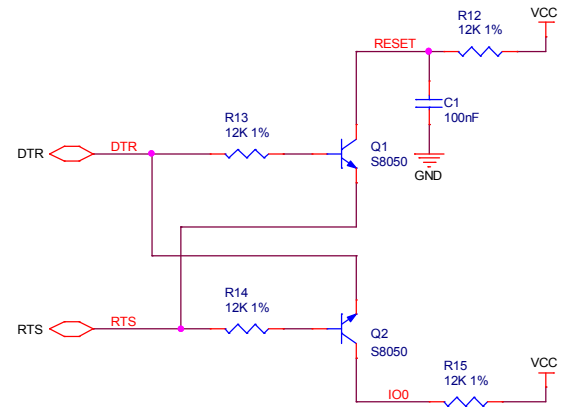


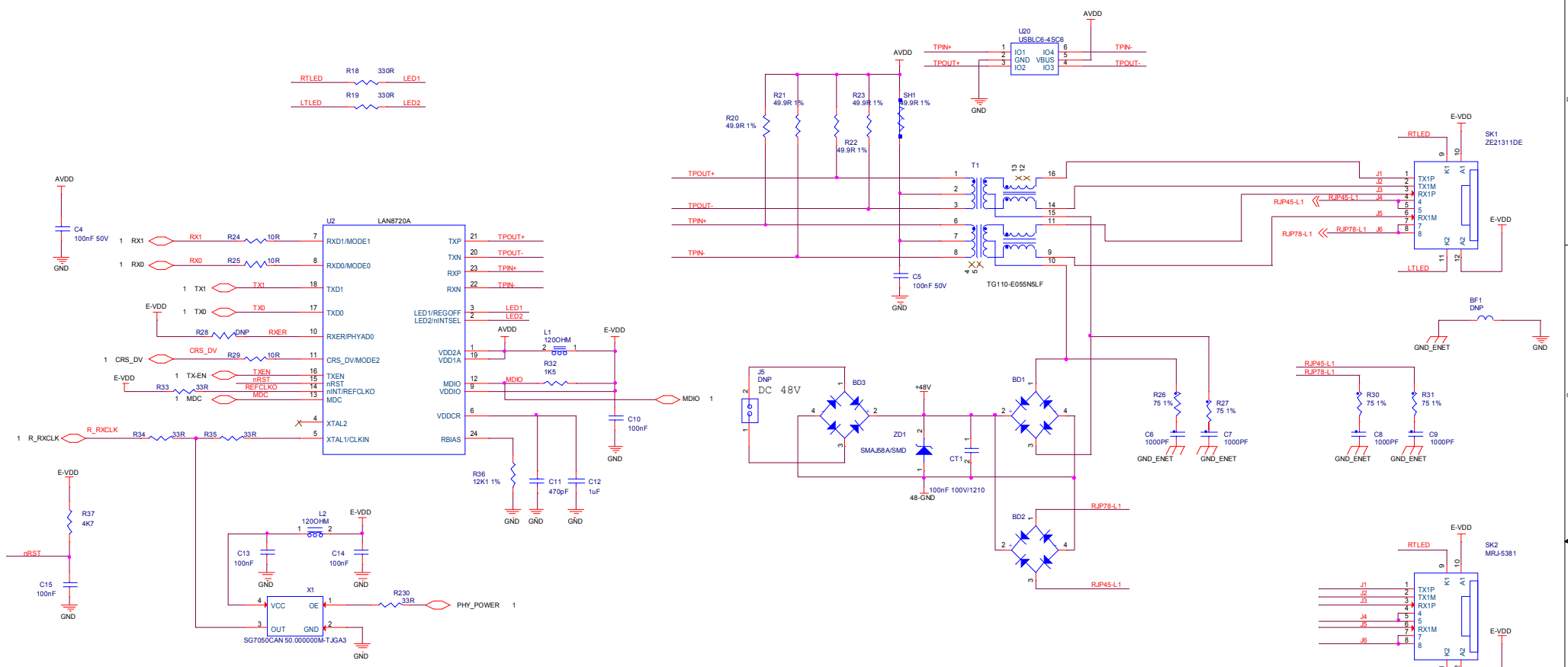
EMAC\_TX\_CLK -> GPIO0  
EMAC\_RX\_CLK -> GPIO5

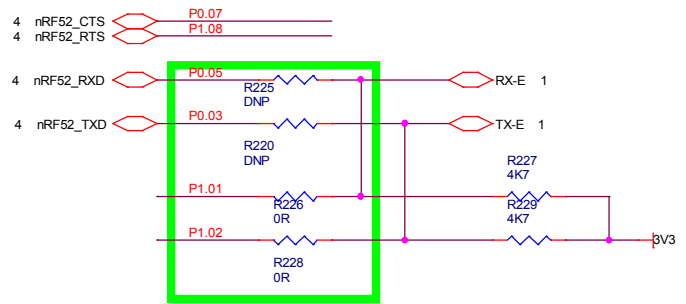
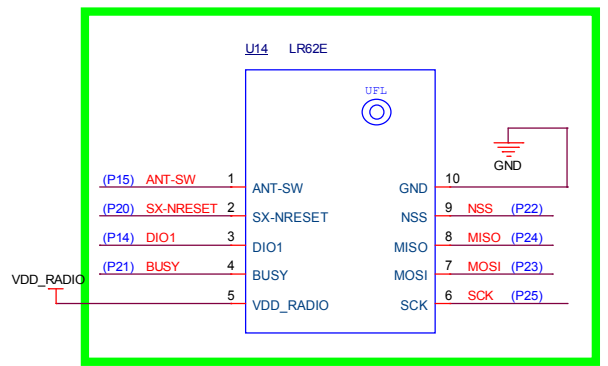
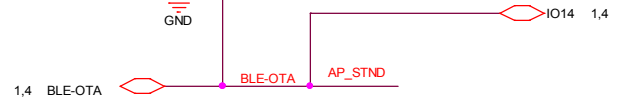
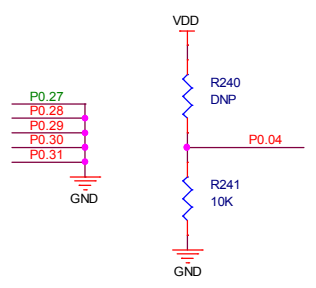
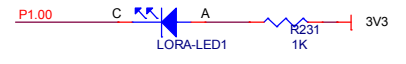
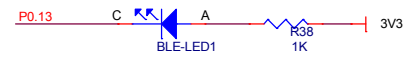
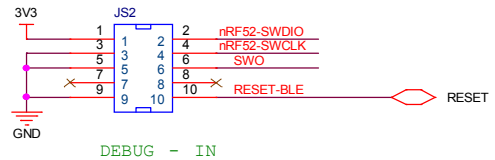
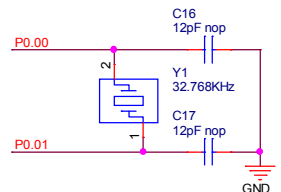
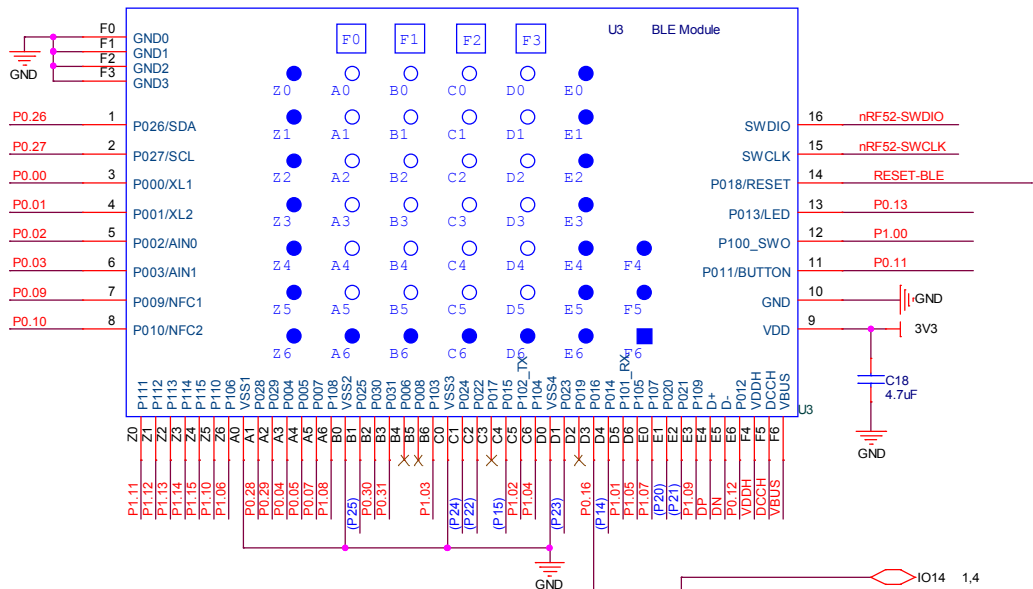


AUTO PROGRAM

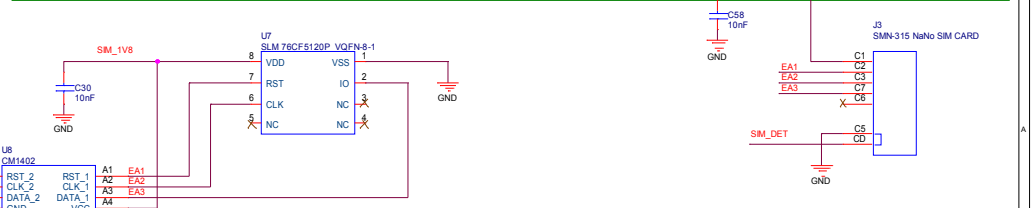
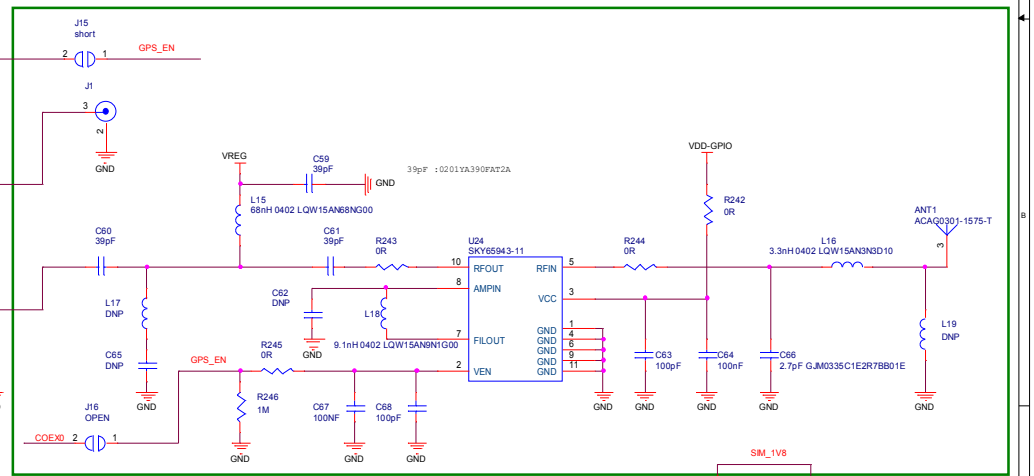
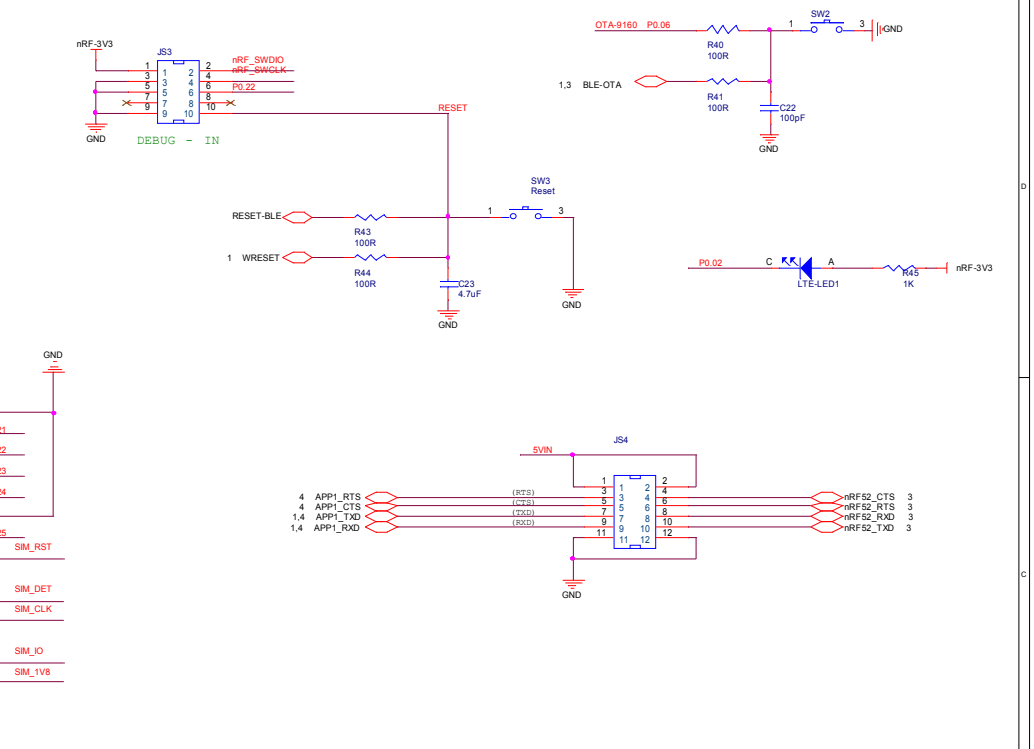
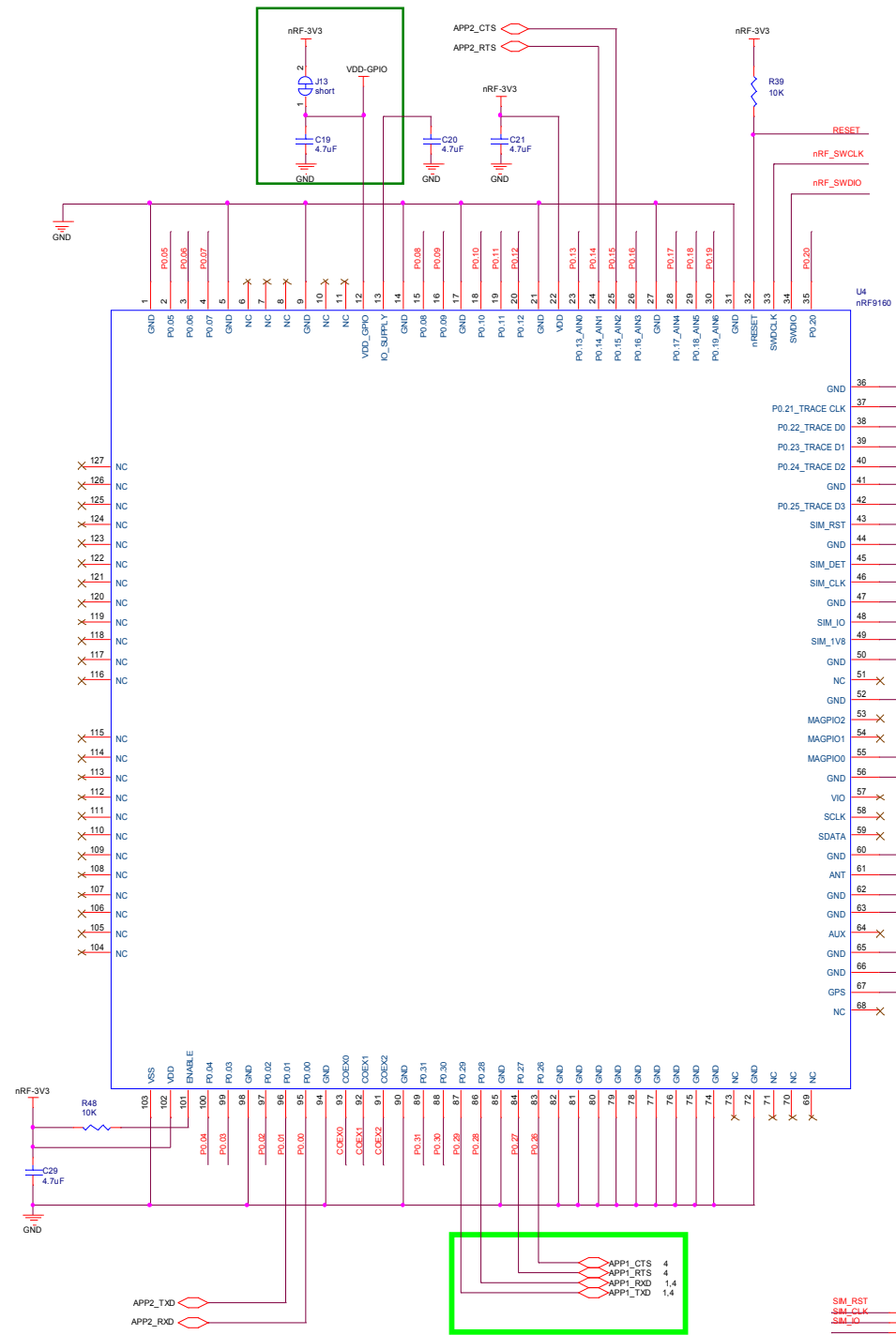


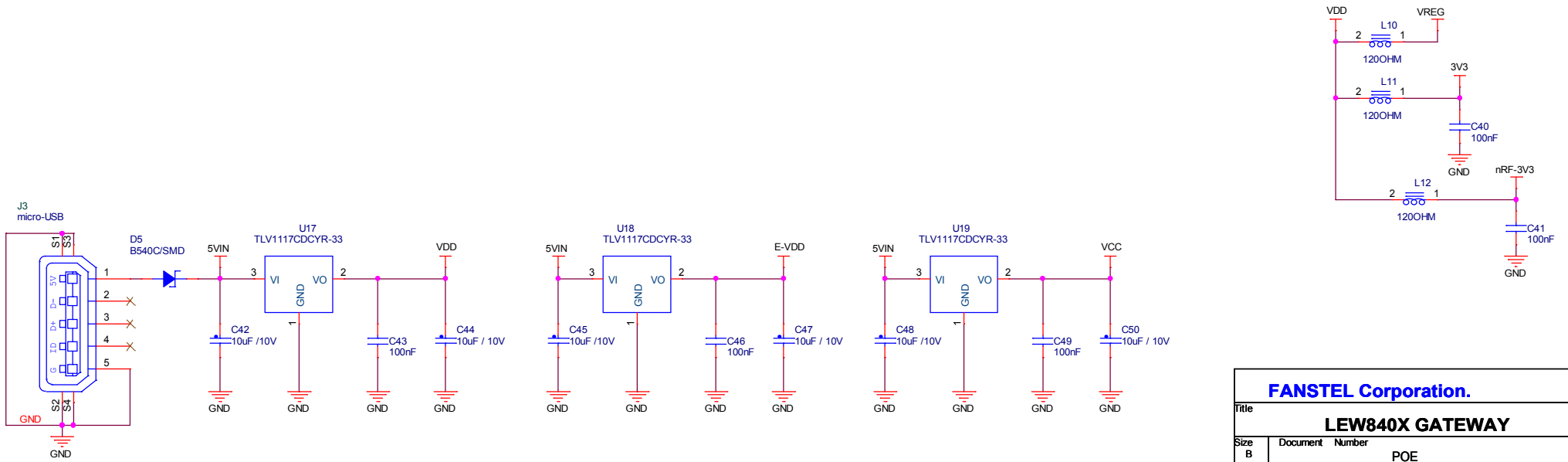
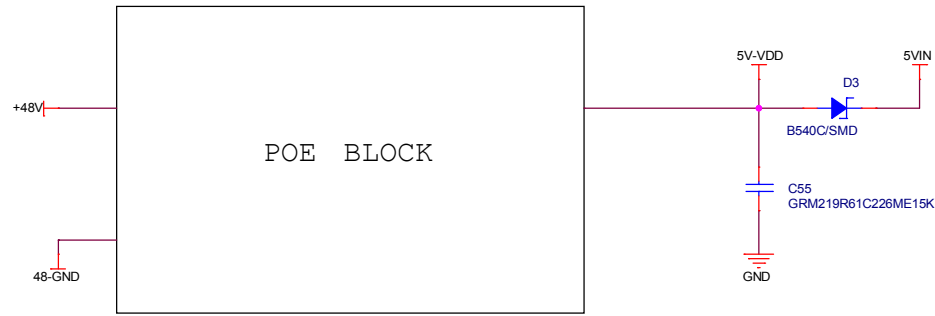
<b>FANSTEL Corporation.</b>				
Title: <b>LEW840X GATEWAY</b>				
Size B	Document	Number	WIFI	Rev 1.2
Date:	Friday, April 10, 2020	Sheet	1 of 5	





<b>FANSTEL Corporation.</b>			
<b>LEW840X GATEWAY</b>			
Size B	Document Number	BT840F, X	Rev 1.2
Date:	Friday, April 10, 2020	Sheet 3 of 5	





<b>FANSTEL Corporation.</b>			
<b>Title</b>			
<b>LEW840X GATEWAY</b>			
Size B	Document Number	POE	Rev 1.2
Date: Friday, April 10, 2020		Sheet 5	of 5