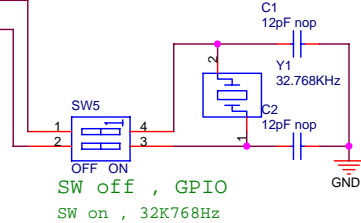
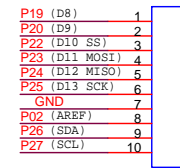
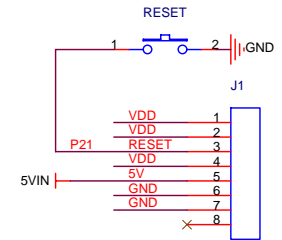
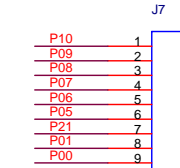
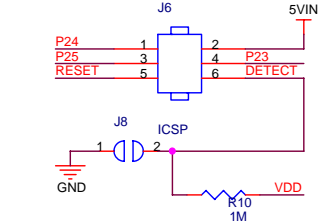
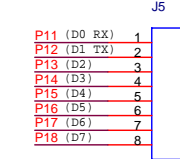
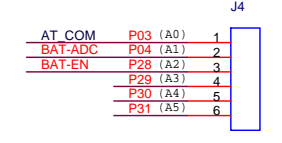
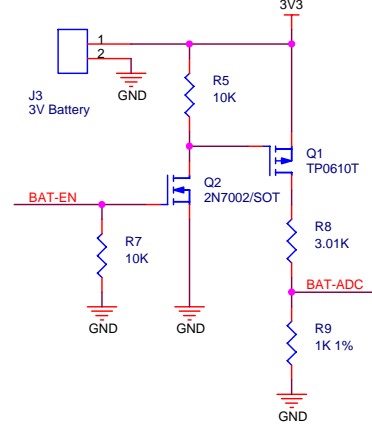


J3 input , J9 off

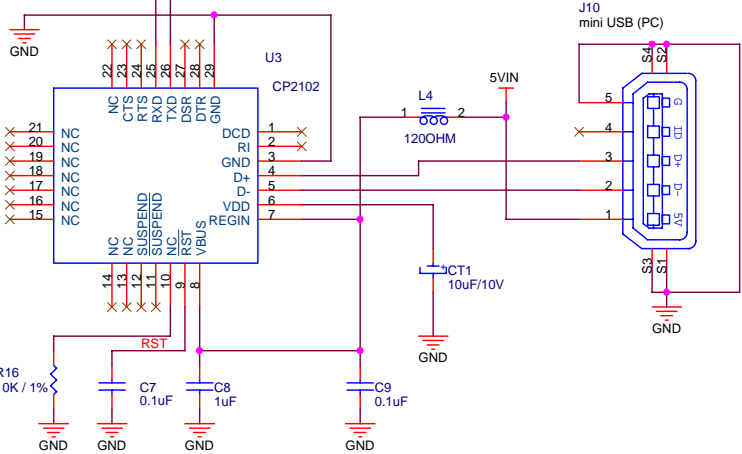
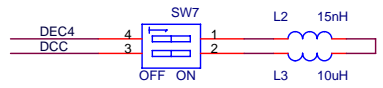
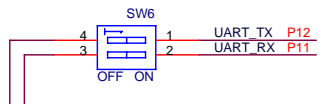


SW off , GPIO  
SW on , 32K768Hz

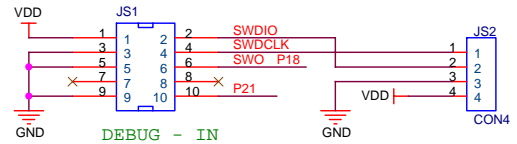
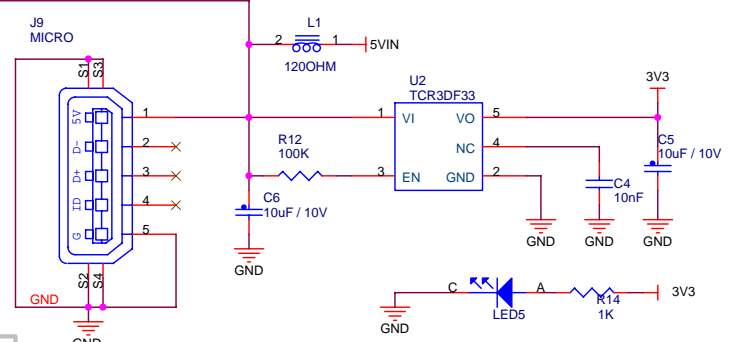
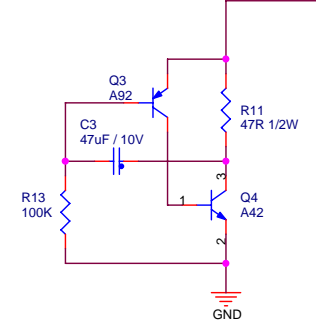
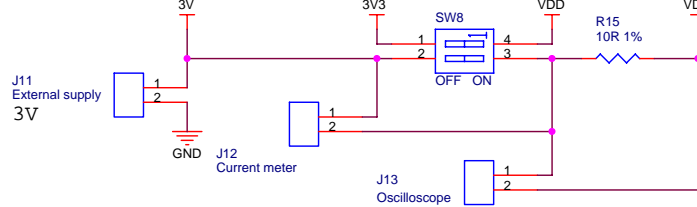


Current measurement , SW6 all off

BC832 - V0 SW7 all off  
BC832 - V1 SW7 all on



Current measurement , SW8 pin1-4 off  
SW8 pin2-3 off , J12 connect Current meter  
SW8 pin2-3 on , J13 connect Oscilloscope



<b>FANSTEL Corporation.</b>		
<b>Title</b>		
<b>EV BC832V2</b>		
Size	Document Number	Rev
B	BC832 EVM (UNO)	1.0
Date:	Thursday, March 16, 2017	Sheet 1 of 1