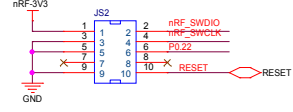
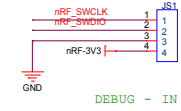
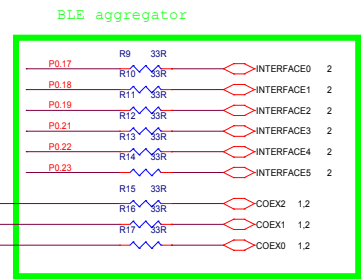
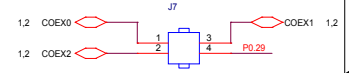
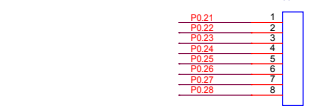
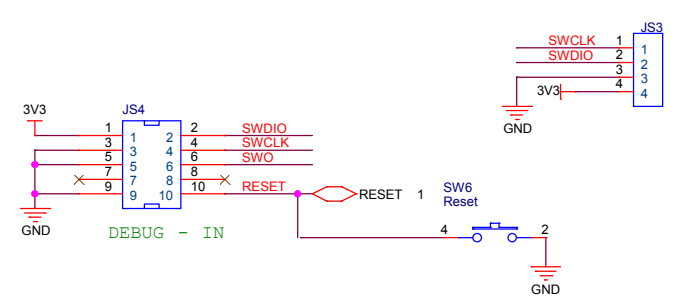
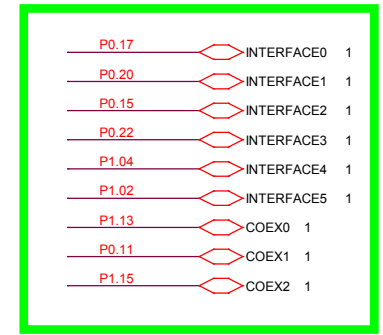
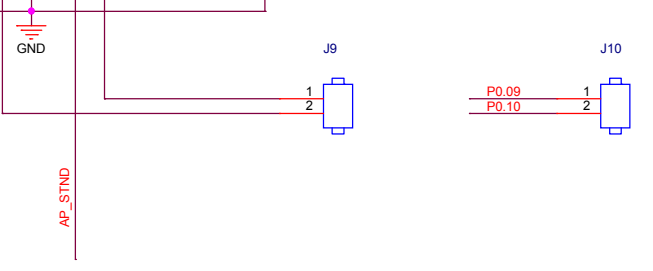
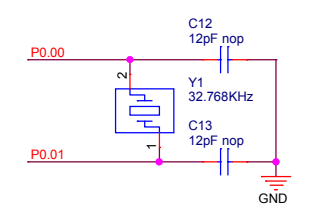
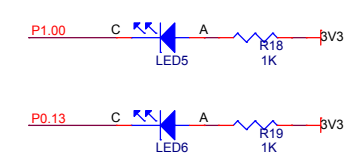
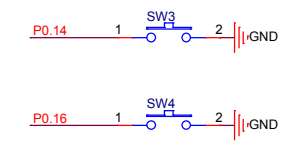
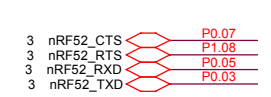
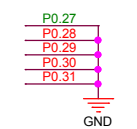
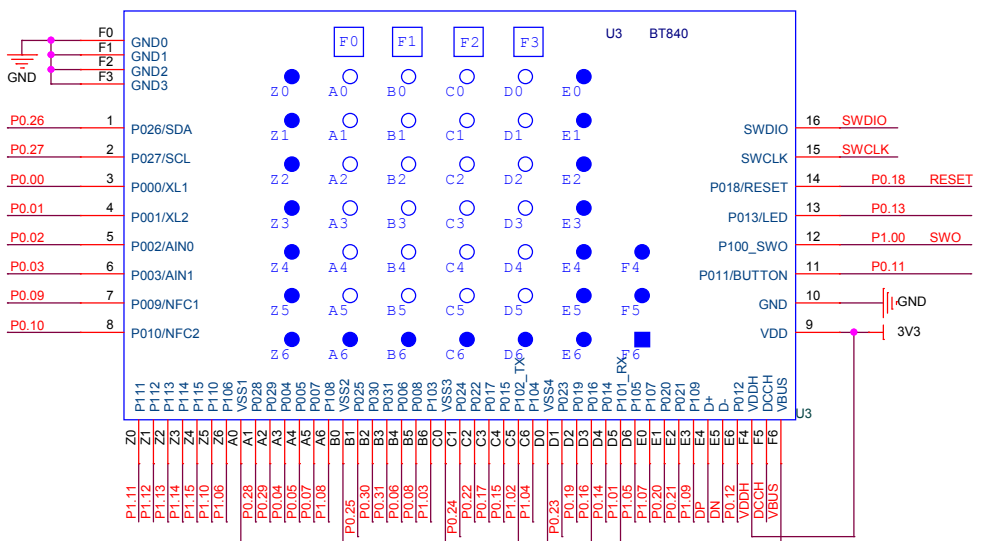
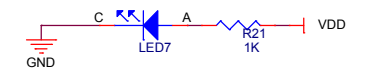
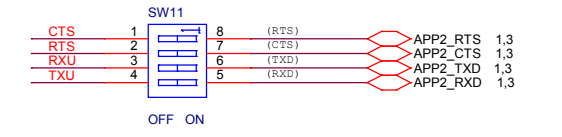
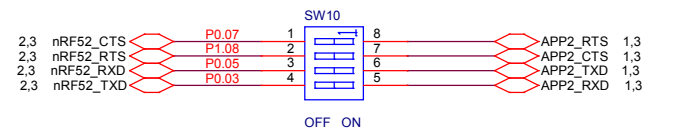
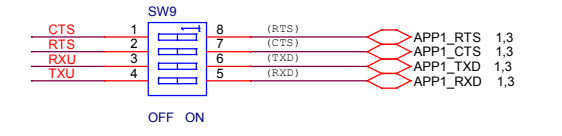
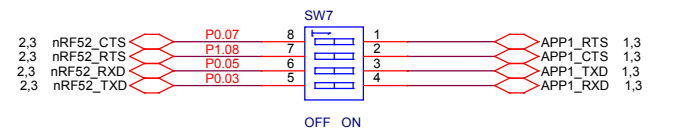
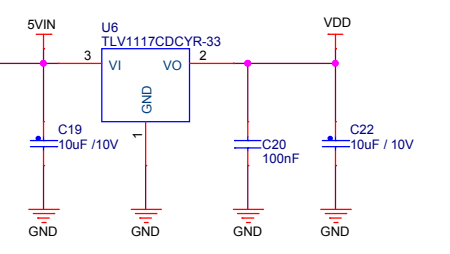
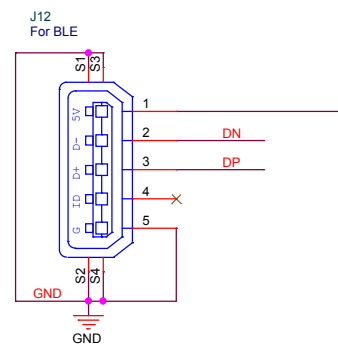
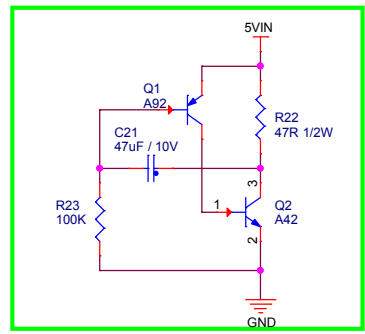
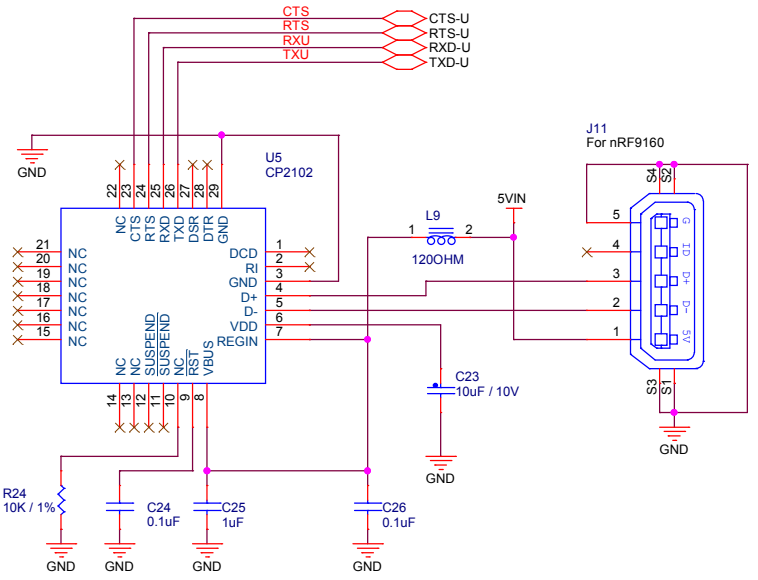
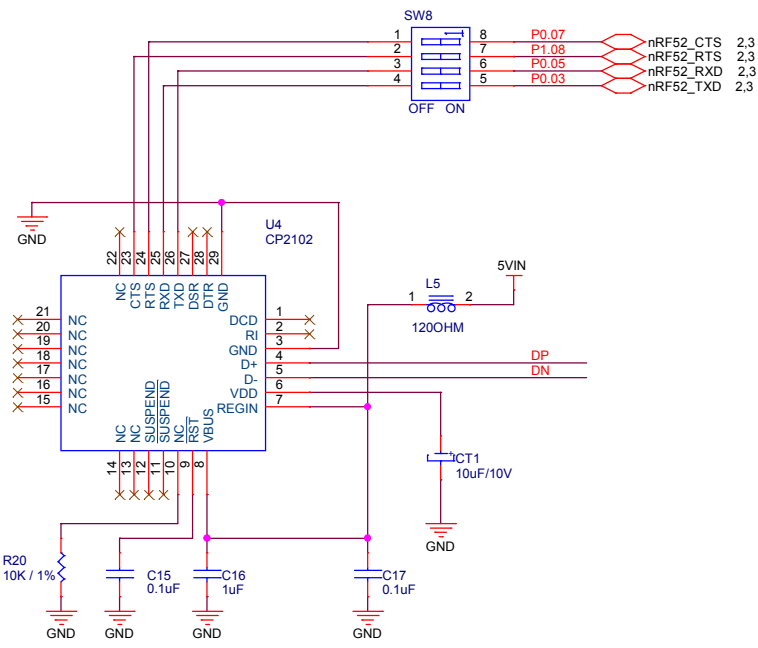


(ARDUINO)





FANSTEL Corporation.		
Title		
nRF9160 EVM		
Size	Document Number	Rev
B	BLE	1.2
Date:	Saturday, February 23, 2019	Sheet 2 of 3



FANSTEL Corporation.		
Title		
nRF9160 EVM		
Size	Document Number	Rev
B	CP2102	1.2
Date: Saturday, February 23, 2019		Sheet 3 of 3