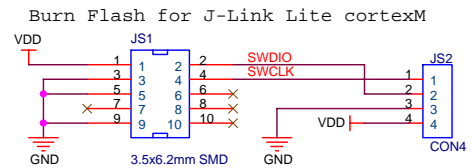
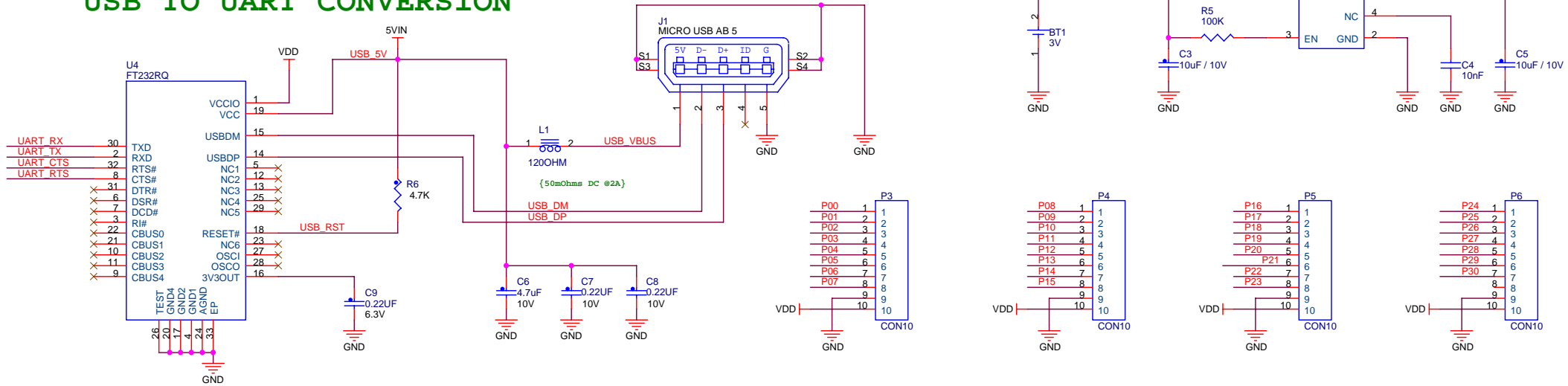


USB TO UART CONVERSION



FANSTEL Corporation.		
BT600 Module TEST PCB		
Size B	Document Number nRF51822	Rev 1.0
Date:	Wednesday, June 07, 2017	Sheet 1 of 1