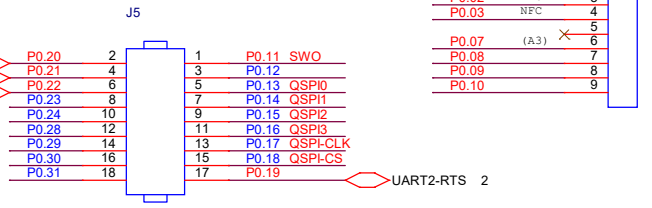
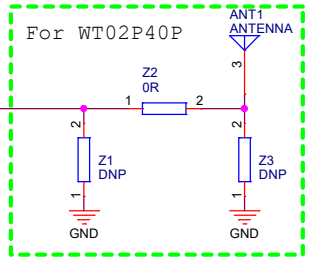


(ARDUINO)

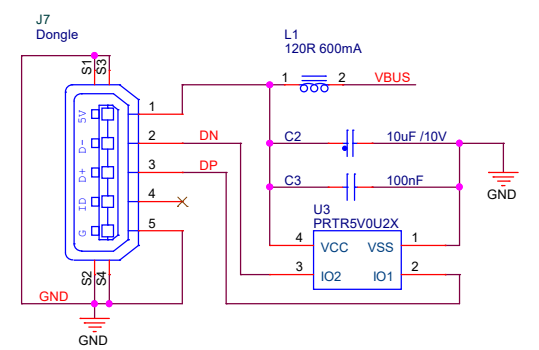
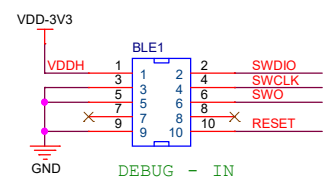
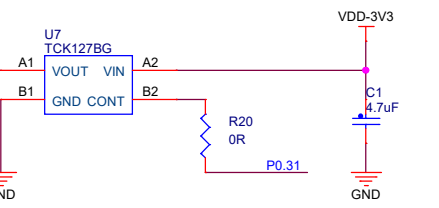
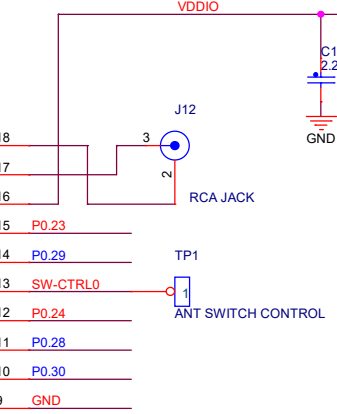
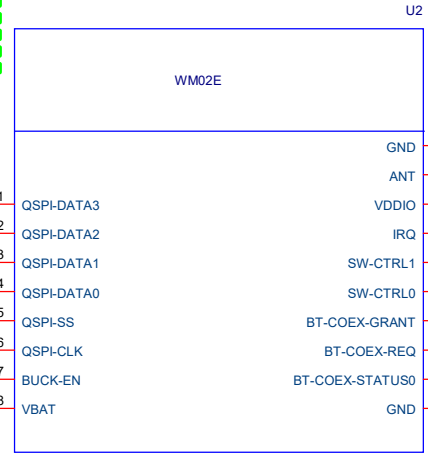
| | |
|-------|---------|
| Pin 9 | VDD-3V3 |
| Min | 2V9 |
| Nom | 3V3 |
| Max | 3V6 |



HEADER 9X2



J13 for BT840 and WM02

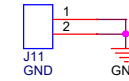
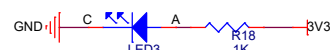
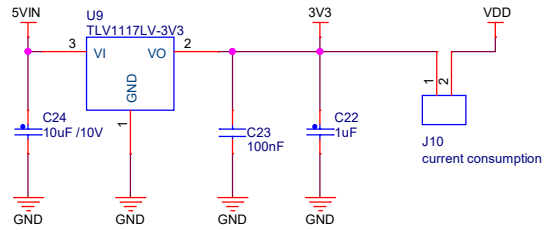
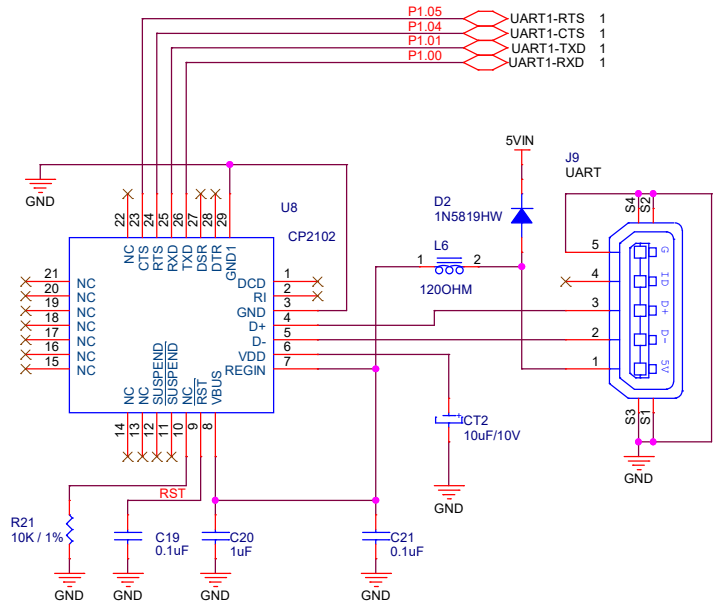
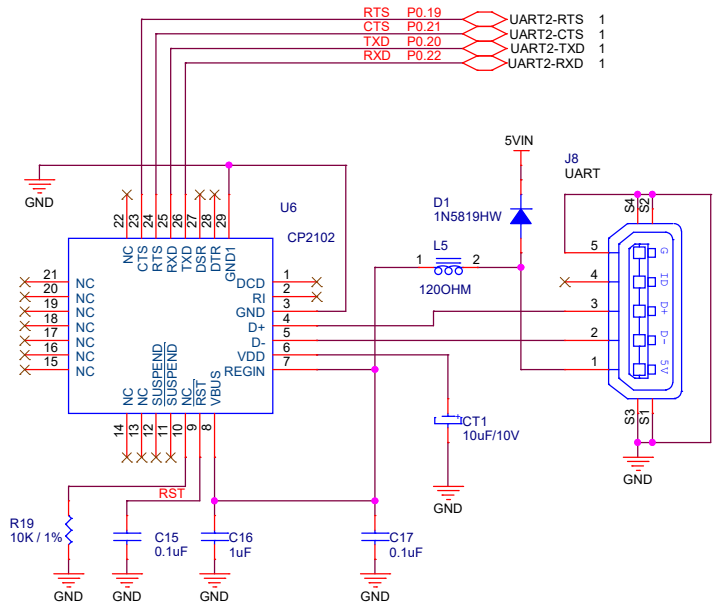


FANSTEL Corporation.

Title: **EV BT40 + nRF7002**

Size B Document Number: **WIFI6 EVM (UNO)** Rev 1.2

Date: Friday, September 22, 2023 Sheet 1 of 2



FANSTEL Corporation.

| | | | |
|-------|------------------------------|--------------------------|---------|
| Title | | EV BT40 + nRF7002 | |
| Size | Document Number | UART / Power | |
| B | | | Rev 1.2 |
| Date: | Thursday, September 07, 2023 | Sheet | 2 of 2 |