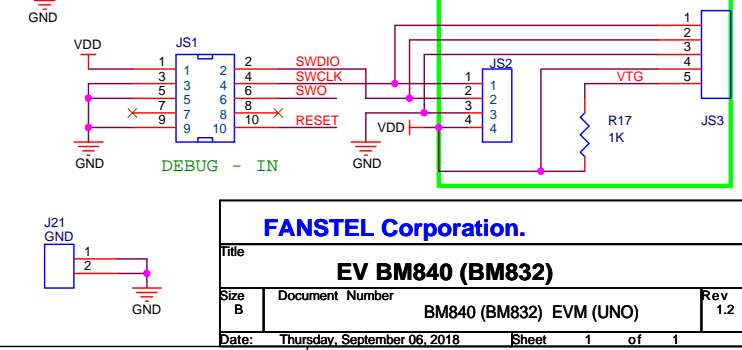
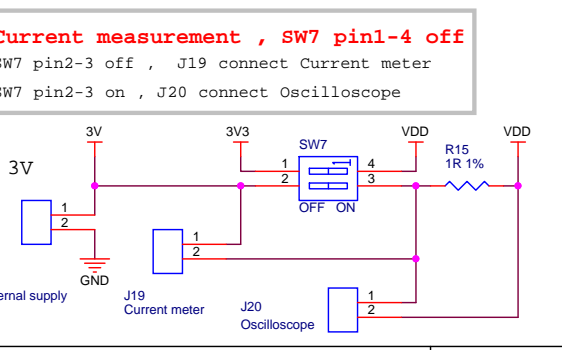
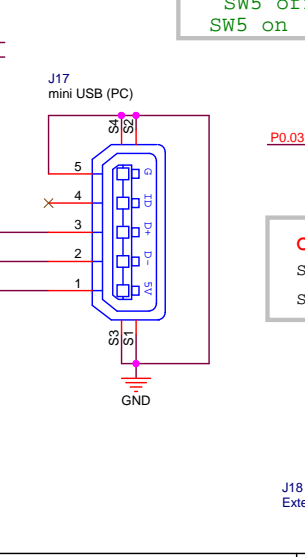
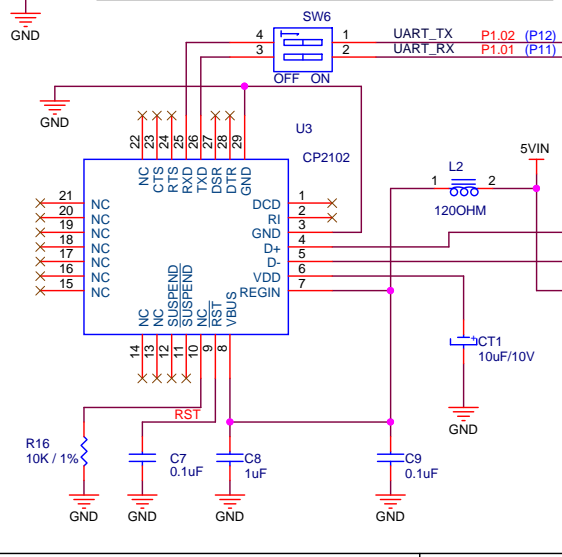
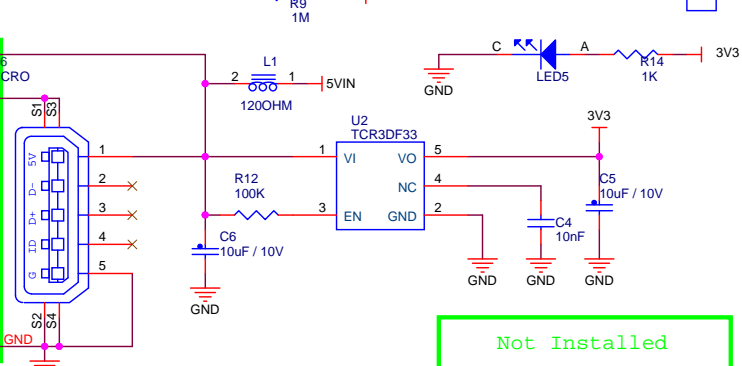
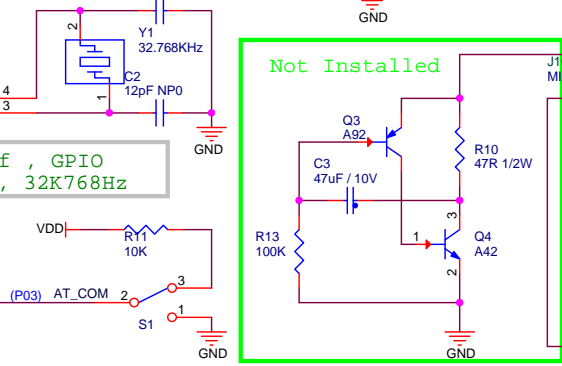
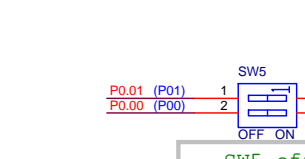
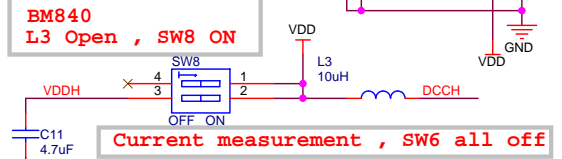
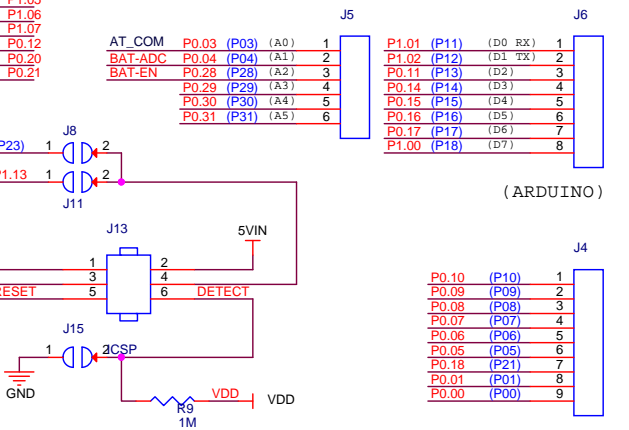
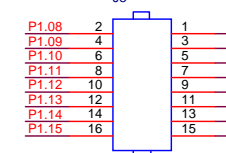
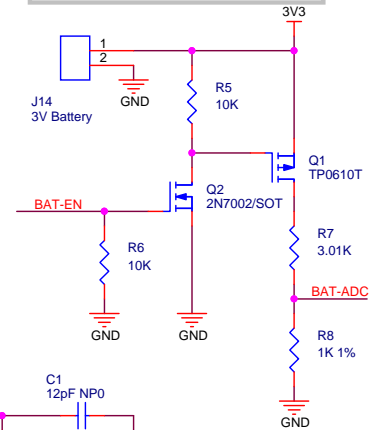


J14 input , J16 off



FANSTEL Corporation.			
Title EV BM840 (BM832)			
Size B	Document Number	BM840 (BM832) EVM (UNO)	Rev 1.2
Date:	Thursday, September 06, 2018	Sheet	1 of 1